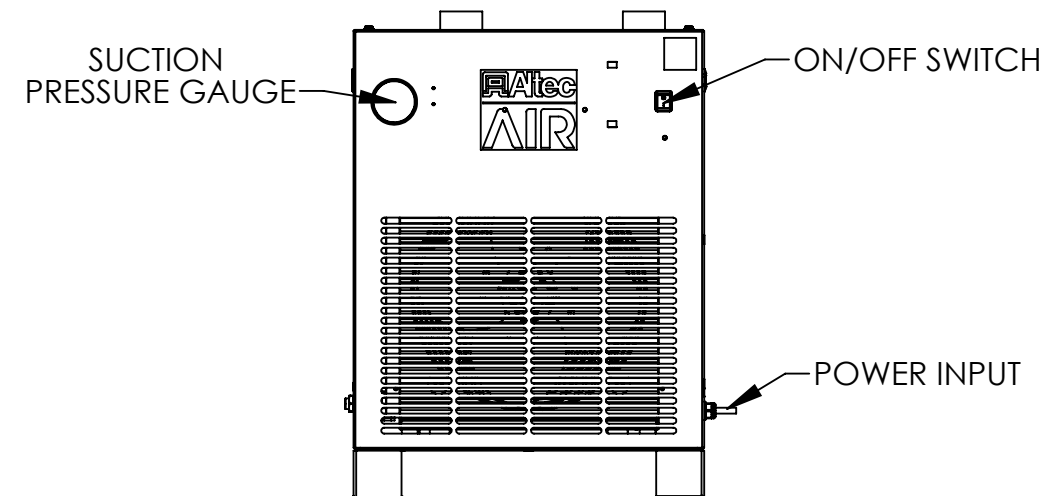
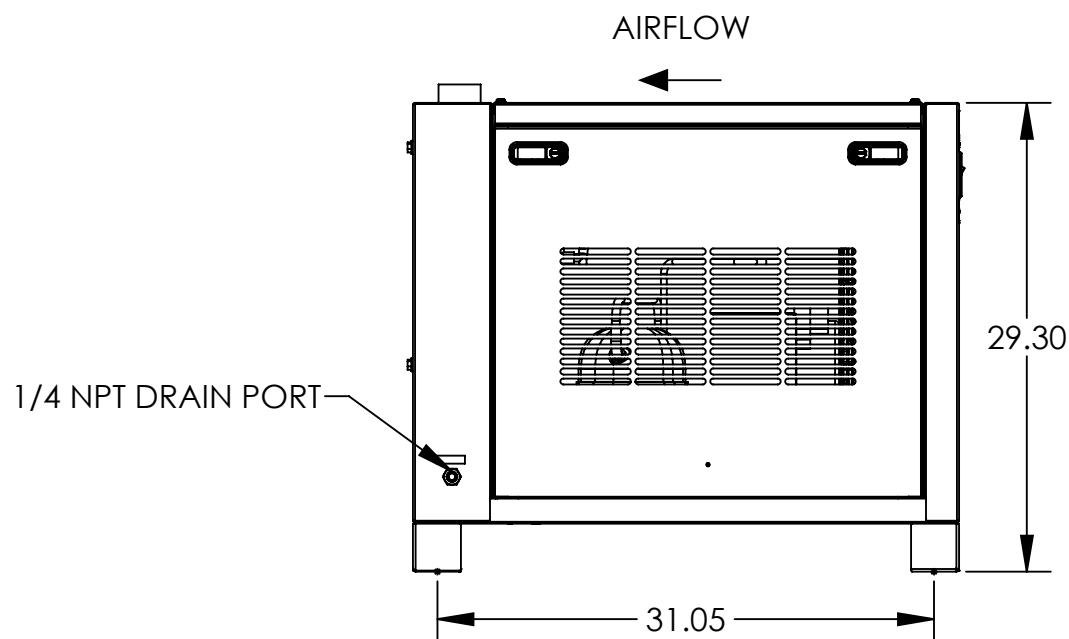
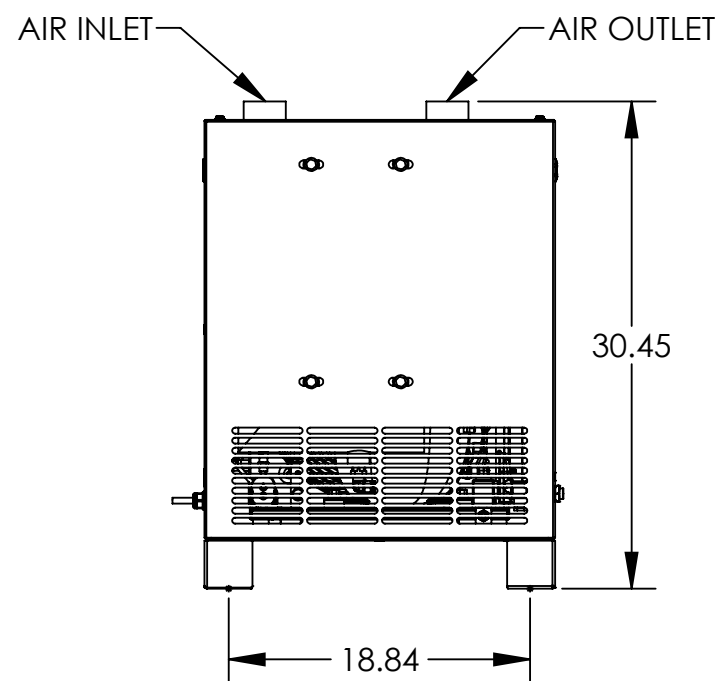
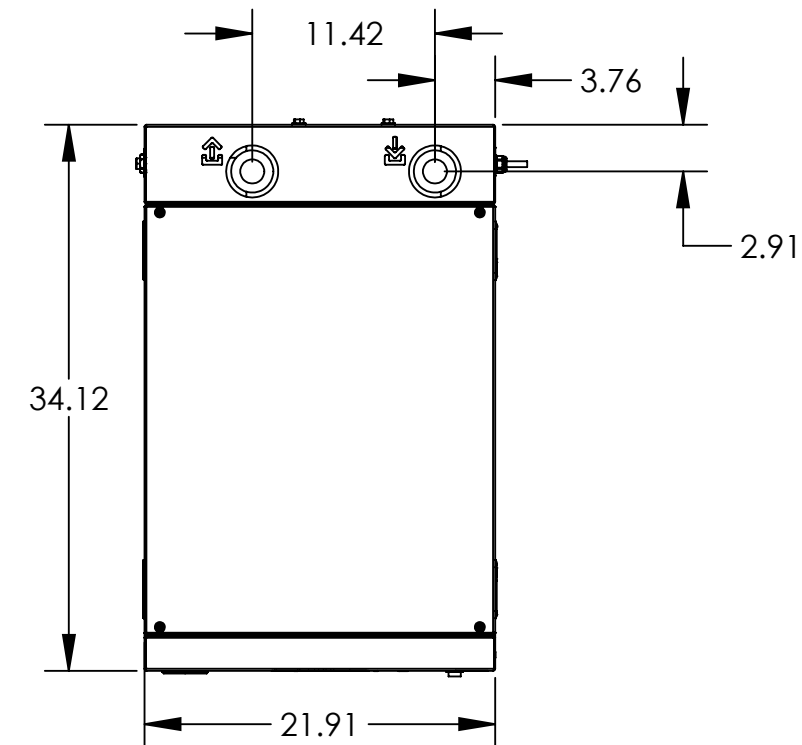
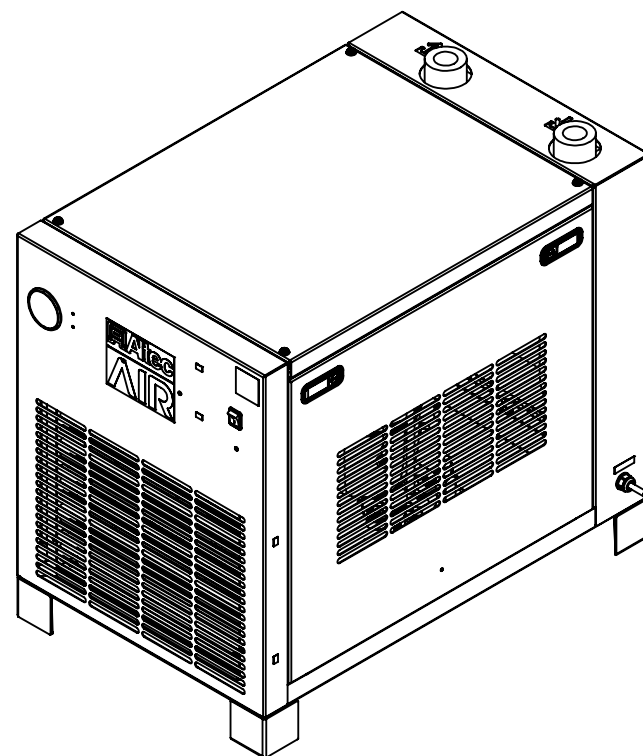


MODEL	RAD-0200A-1
VOLTAGE	115V-1Ph-60Hz
RLA	13.6
LRA	78
MCA	24.25
MOP	40
COMPRESSOR HP	1-1/4
COMPRESSOR	RECIPROCATING
REFRIGERANT	R134A
REFRIGERANT CHARGE (OZ)	24
MAX INLET AIR TEMP (F)	140°
MAX INLET AIR PRESSURE (PSI)	232
MIN/MAX AMBIENT TEMP (F)	45°/120°
REFRIGERANT PRESSURE RANGE (PSI)	150/300
INLET/OUTLET PORT (NPT)	1-1/2 NPT
WEIGHT (LBS)	245
PLUG TYPE	NEMA 5-20P
POWER CORD LENGTH (FT)	10



DRAWN	M. DELEON
APPROVED	
DATE	03/08/2022
MATERIAL	
FINISH	

UNLESS OTHERWISE NOTED, TOLERANCES ARE:  
 FRACTIONS:  $\pm 1/16$  ANGLES:  $\pm 0^{\circ}30'$   
 DECIMAL: .X =  $\pm .06$  | .XX =  $\pm .03$  | .XXX =  $\pm .015$  | .XXXX =  $\pm .0030$   
 MACHINED SURFACES: 125 MICRINCHES  
 THESE TOLERANCES DO NOT APPLY TO BASIC DIMENSIONS.

DO NOT SCALE THIS PRINT, REMOVE ALL BURRS & SHARP EDGES, ALL DIMENSIONS ARE IN INCHES.  
 CAD SOFTWARE: SOLIDWORKS.  
 DRAWING DIMENSIONED TO ALTEC STANDARD: CDS-0007.

TITLE: DRYR-REFRIG; NON-CYCL; 200 SCFM; 115V/1PH; 60 HZ

CONFIDENTIAL: This drawing and its contents are the proprietary and confidential information of Altec Industries, Inc. and are not to be reproduced, copied or publicly disclosed. If this drawing is provided to someone outside Altec, it is done so for the limited purpose of assisting that recipient with a technical or product issue. In receiving this drawing, the recipient agrees to maintain it in confidence and not to use it beyond the purpose previously stated. Recipient agrees not to reproduce, copy, or publicly disclose this drawing and its contents.



SCALE	WEIGHT	SIZE	NUMBER	REV
1:12	-	2	100517875	B